

Public Document Pack

LICENSING SUB COMMITTEE

MONDAY 21ST MAY 2012

AGENDA ITEM 6 – FRIENDS OF HAM

ADDITIONAL INFORMATION SUPPLIED BY THE PREMISE LICENCE HOLDER
(Supplementary pack 2)

This page is intentionally left blank

LEGEND

- ⊞ EMERGENCY BREAKGLASS
- ⓔ INTERNALLY ILLUMINATED RUNNING MAN EXIT SIGN
- ⊗ INDICATES MAINTAINED LUMINAIRE TO PROVIDE ESCAPE LIGHTING
- Ⓞ SMOKE DETECTORS
- ⓧ FIRE EXTINGUISHER POSITION AND TYPE
- RED LINE INDICATES WHERE LICENSABLE ACTIVITIES WILL TAKE PLACE

NOTE: ALL SEATING IS INDICATIVE ONLY

THE LOCATION AND TYPE OF ANY FIRE SAFETY AND OTHER FIRE SAFETY EQUIPMENT IS SHOWN AS IT IS PRESENT. THIS MAY BE VARIED FROM TIME TO TIME WITH THE AGREEMENT OF THE FIRE OFFICER OR AFTER FIRE RISK ASSESSMENT.

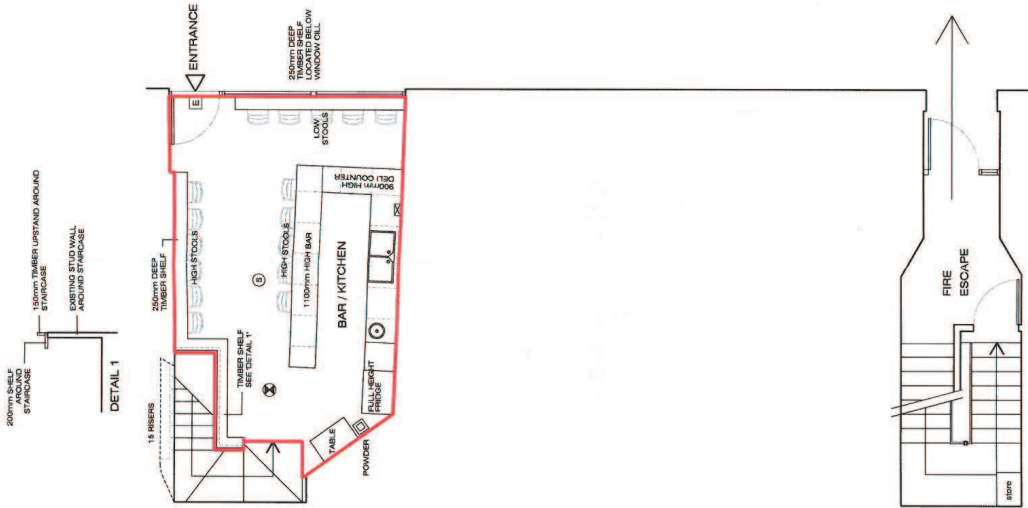
FURNISHINGS:-

ALL UPHOLSTERED FURNITURE TO COMPLY WITH BS7176:1985.
 CURTAINS, CARPETS + CEILING COVERINGS TO COMPLY WITH APPROPRIATE STANDARDS FOR LICENSABLE PREMISES.

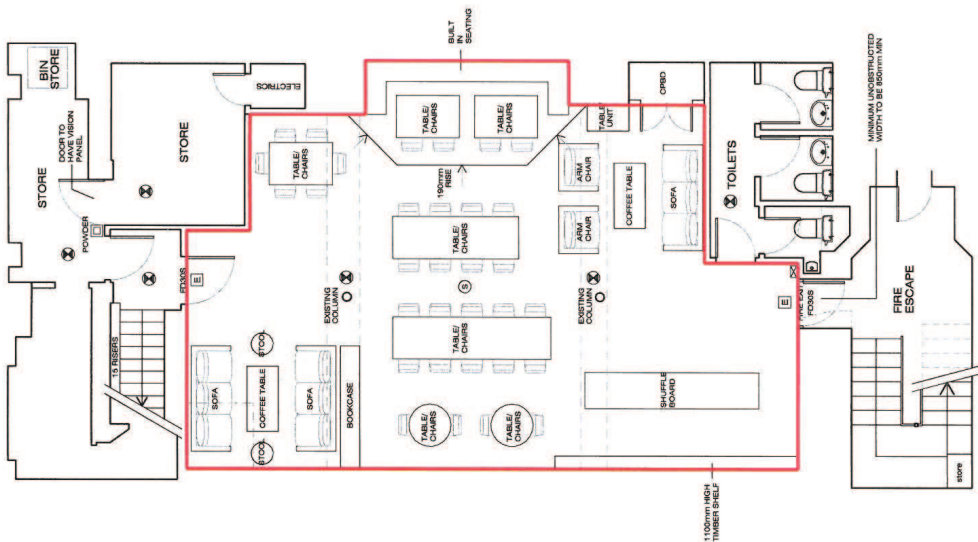
FIRE ALARM:-
 EXISTING SYSTEM TO BE ADAPTED TO PROVIDE SMOKE DETECTION ON BASEMENT & GROUND FLOOR LEVELS.
 ALL NEW FIRE ALARMS TO BE LINKED TO FIRE ALARM TO ENABLE CUT OUT ON ACTIVATION.

EMERGENCY LIGHTING:-

ALL EXIT SIGNS TO BE MAINTAINED RUNNING MANY SIGNS.
 NON MAINTAINED EMERGENCY LIGHTING TO BE INSTALLED IN ALL LICENSABLE AREAS, STAIRCASES, TOILETS + ESCAPE ROUTES.
 PRIMARY AND EMERGENCY LIGHTING TO EXTERNAL STAIRCASE AND REAR EXIT FROM GROUND FLOOR.



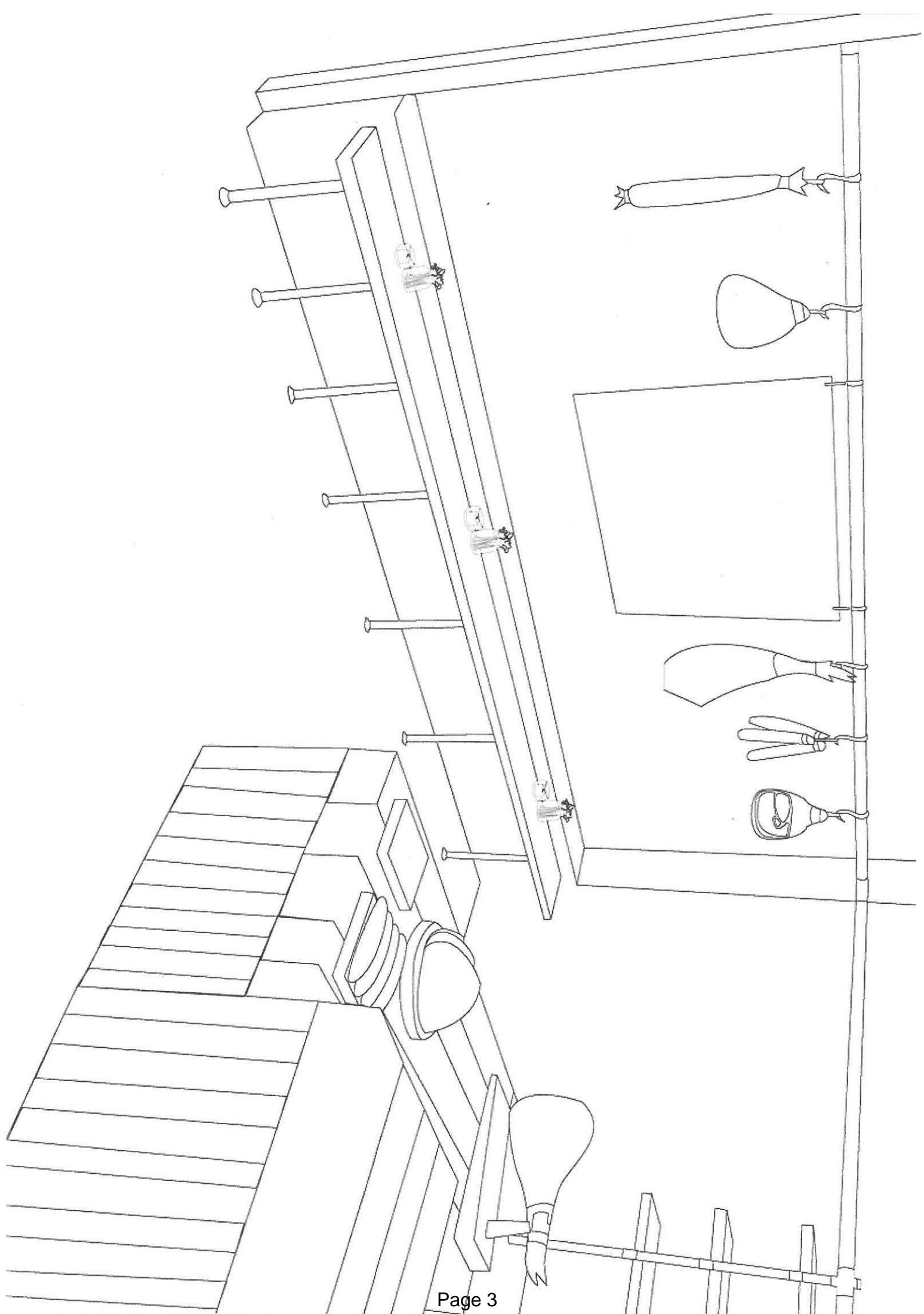
GROUND FLOOR PLAN

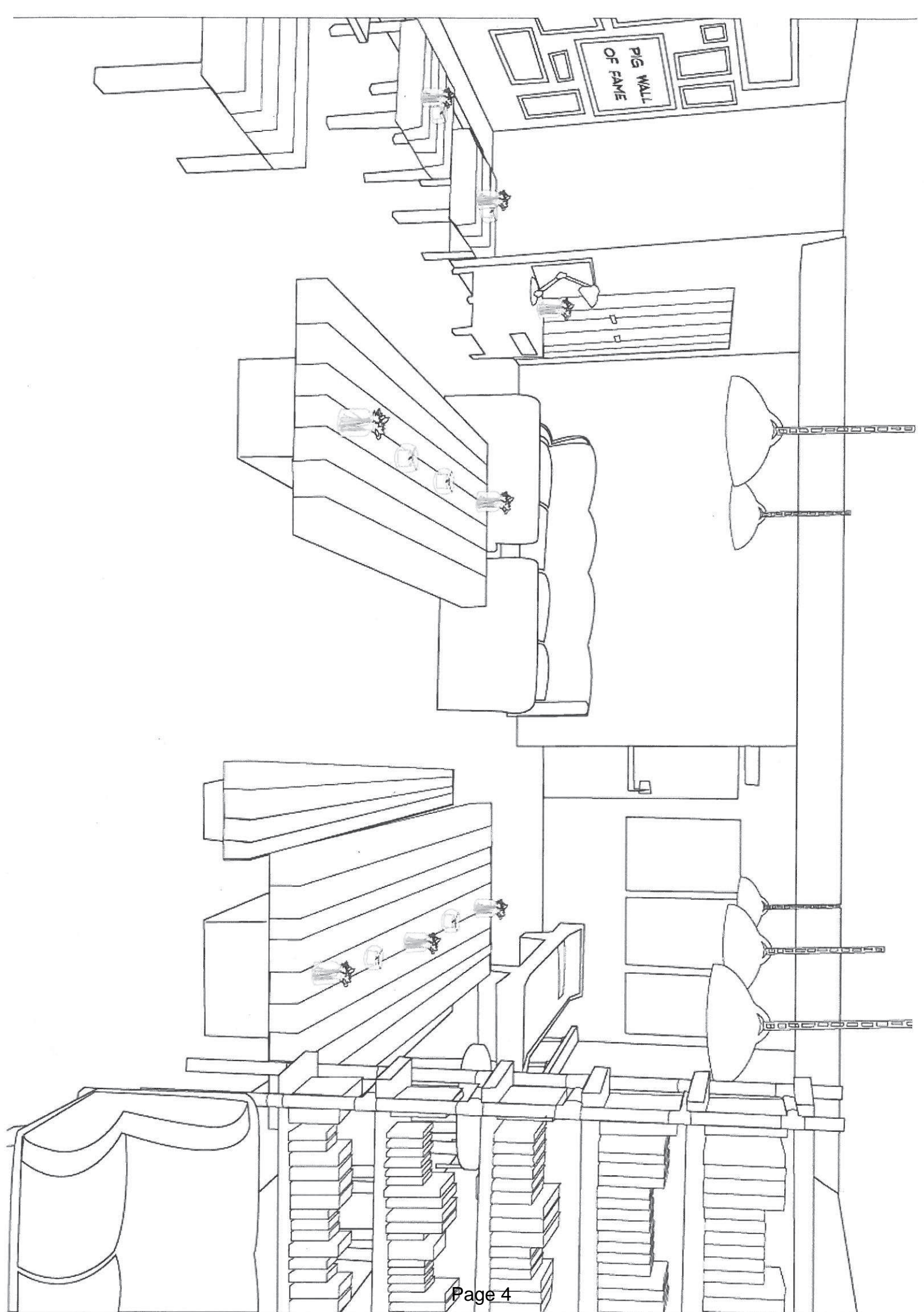


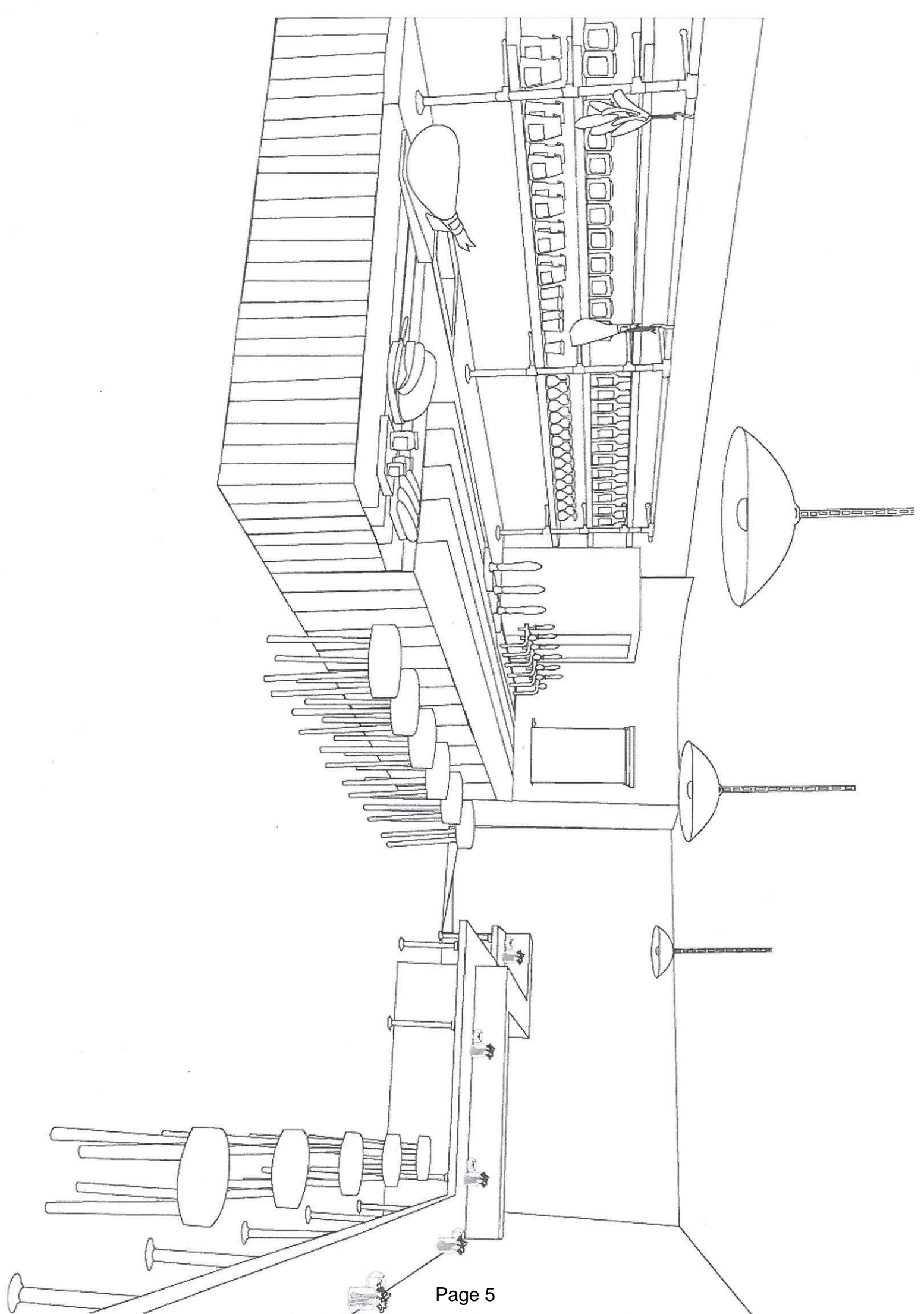
BASEMENT PLAN



This page is intentionally left blank







This page is intentionally left blank

CHARCUTERIE

4 year matured Ibérico de Bellota.....£16.00

Hand carved slices of cured ham from the Salamanca region of Spain, using acorn-fed, free range Ibérico pigs

Prosciutto Di Parma Sant-Ilario Riserve.....£6.50

A sweet tender ham produced by Piero Montali and his sons Stefano and Raphaelae, matured for 28-32 months

Jésus Du Pays Basque Salami.....£5.50

Pierre Oteiza farms his pigs in the Aldudes Valley in France, this rich salami is seasoned with rum and black peppercorns

Cecina De León.....£5.50

Air-cured beef cured for 12-14 months giving it a smoky flavour

Finocchiona.....£5.50

Tuscan Carlo Pieri seasons his salami with wild fennel seeds and pollen picked by his mother

Teruel D.O.P. Ham.....£5.00

A Serrano type ham from the arid Aragón region of Spain

Teruel Lomo.....£5.00

Cured pork loin, rubbed with herbs and spices before curing

Salame Di Felino.....£5.00

The 'King' of Italian salami, made with meat from the hind leg, shoulder and belly with fat from the back and belly

Alejandro Troncal Chorizo.....£4.00

Fine cut chorizo from the Rituerto family in the La Rioja region

Mixed plate of 3 meats (except the Ibérico).....£11.00

All dishes are served with crusty bread and salad leaves.

CHEESES

Friends of Ham, along with Cryer & Stott, bring you the best of Yorkshire, British & Irish cheeses.

Single Cheese Board.....£5.50

Two Cheese Board.....£7.00

Three Cheese Board.....£9.00

Served with crusty bread, chutney and salad leaves.

Quickes Mature, Somerset – a strong cheddar

Berwick Edge, Northumberland – Gouda style

Jervaulx Blue, Yorkshire – a hard blue

Colston Bassett, Shropshire – melting texture blue cheese

Ribblesdale Smoked Goats, Yorkshire – oak-smoked hard

Kit Calvert Wensleydale, Yorkshire – buttery, creamy texture

Innes Log, Staffordshire – a soft goats rolled in salted ash

Somerset Brie, Somerset – award winning British brie

Fountain's Gold Cheddar, Yorkshire – a milder cheddar style

Mrs Kirkham's Lancashire, Lancashire – a rich buttery crumble

Cooleeney Farmhouse Cheese, Ireland – best of the Irish crop

Other Cheeses:

Mozzarella Di Bufala Campana (Italy).....£5.50

Villarejo Manchego D.O.P. (Spain).....£5.50

Torta de Barros (Spain).....£5.50

Served with breadsticks to dip into this soft creamy cheese

SMALLS

- Enebral Organic Sobrasada**.....£4.00
Spreadable chorizo on toast drizzled with honey
- Scotch Egg served with Salad Leaves**.....£4.50
- Pork Pie served with Pickle & Salad Leaves**.....£4.00
- Chicken Liver Pâté with Toast**.....£4.50
- Black Olive Tapenade with Toast (V)**.....£4.00
- Smoked Salmon**.....£6.00
On toast with a Lime, Black Pepper & Lavender crème fraîche
- Side Salads (V)**.....£3.00
Salad leaves with toasted pinenuts & shaved parmesan
OR
Salad leaves with cherry tomatoes & soft buffalo mozzarella
finished with Womersley Lemon, Basil, Bay & Juniper dressing
- Portion of Crusty Bread**.....£1.20

BIGS

- Best of British**.....£13.00
A selection of cured meats from new British charcutiers including Yorkshire Chorizo & Trealy Farm from Monmouthshire
- Yorkshire Ploughmans**.....£7.50
½ pork pie, cheese, ham, salad leaves, pickle & bread all sourced in Yorkshire
- Meat & Cheese Platter**.....£13.50
2 meats (except the Ibérico) and 2 cheeses of your choice.
Served with chutney, pickle, salad leaves and crusty bread.
Perfect for sharing

FOOD PAIRINGS

- Ibérico de Bellota**.....£12.00
with a glass of Fernando de Castilla Manzanilla Sherry
- Finocchiona**.....£6.00
with a 300ml bottle of Camden Town Wheat Beer (5%)
- Quickes Mature Cheddar & Chipper Jam (V)**.....£7.00
with a 500ml bottle of Thornbridge Jaipur IPA (5.9%)
- Jervaulx Blue with Pear, Date & Cinnamon Chutney (V)**.....£7.00
with a 330ml bottle of Magic Rock Dark Arts (6%)
- Langres (V)**.....£19.50
with 2 champagne glasses of Deus Brut des Flandres (11.5%)
Celebrate with this great match of rind-washed cheese from the Champagne region along with a beer second-fermented in Épernay using the Champagne method – great combination to mark an occasion!
- You will be recommended a matching cheese or beer item for any draught beer ordered.
- Puddings & Beer – new taste sensations**
- Whoopie Pie or Chocolate Brownie**.....£8.50
with a 500ml bottle of Durham Brewery Temptation (10%), a black Russian stout
- Cherry & Amaretto Blondie with Clotted Cream**.....£6.00
with a ½ pint wine glass of Kirkstall Framboise (3.6%)

NIBBLES

Olives.....	£3.00
Smoked Almonds.....	£3.00
Pickled Chillies.....	£3.00
Snacking Salami OR Biltong.....	£2.00
Pork Scratchings.....	£2.00
Breadsticks.....	£2.50
Pipers Crisps.....	£1.00

SOFT DRINKS

Blue Keld Water (still or sparkling).....	£1.10 33cl.....	£2.25 75cl
Belvoir Elderflower or Apple Pressé.....	£2.35 25cl	
Apple Juice (using only Yorkshire apples).....	£2.40 25cl	
Ginger Beer.....	£2.50 glass	
From the Gingerbread Mam, Stockton-on-Tees		
Classic Glass Bottle Coca-Cola & Diet Coke.....	£1.75 33cl	

HOT DRINKS

Single Origin Pourover Coffee.....	£2.60
Using some of the best coffees available in the UK from our neighbours Laynes Espresso, who needs an espresso machine when pourovers taste this good?	
Selection of Loose Leaf Teas.....	£2.20
A variety of interesting teas from around the world, served at the optimum temperature in a teapot	

OUR SOURCING POLICY

Friends of Ham strive to bring you the very best quality food and drink products. We support other independent businesses and try to keep it as local as possible, easy to do with such great produce in Yorkshire! The one thing we do know is the provenance of every item we sell.

We'd like to say thanks to our great local suppliers:

Bread.....	Dumouchel – Garforth
Chutneys.....	Harrogate Preserves – North Yorkshire
Breadsticks & Biltong.....	Billy & Mitch's Munch – Leeds
Coffee.....	Laynes Espresso – Leeds
Tea.....	The Tea Experience – Doncaster
Brownies.....	Hash Brownies – Sheffield
Whoopie Pies & Cupcakes.....	Love Rouge Bakery – Headingley
Salad Dressings & Vinegars.....	Womersley – Leeds
Dairy, Fruit & Veg.....	Organic Pantry – Tadcaster
Cheeses.....	Cryer & Stott – Castleford
Pork Pies.....	Topping Pie Co – Doncaster
Chorizo.....	Paganum – The Yorkshire Dales
Scotch Eggs.....	Red Tractor Foods – Ilkley
Apple Juice.....	Side Oven Bakery – East Yorkshire

Suppliers from further afield:

Spanish Foods.....	Brindisa – London
Italian Foods.....	The Ham & Cheese Co – London
UK Charcuterie.....	Trealy Farm – Wales
Crisps.....	Pipers – Lincolnshire
Fruit Pressé.....	Belvoir – Lincolnshire
Ginger Beer.....	Gingerbread Mam – Teeside

Most products are available to take away, please ask for details at the Trot On deli counter.

WINES

White Wines (175ml glass)

Alpha Zeta 'S' Soave.....£3.75 glass
Verona, Italy. Light and citrusy.....£15.50 bottle

Fairfields Sauvignon Blanc.....£4.00 glass
Marlborough, New Zealand. Gooseberries and passionfruit.....£16.00 bottle

Leventhorpe Madelene Angevine.....£5.50 glass
Leeds, UK. Floral on the nose, dry on the palate.....£22.50 bottle
See our specials board for other Yorkshire wines as they become available

Tapiz Torrontes.....£5.75 glass
Mendoza, Argentina. Aromas of tropical flowers.....£23.75 bottle

Red Wines (175ml glass)

Borsao Garnacha.....£3.75 glass
Campo de Borja, Spain. Medium-bodied, ripe berry fruit & warm spices.....£15.50 bottle

Finca Los Primos Malbec.....£4.50 glass
San Rafael, Argentina. Bramble, cassis, liquorice & spice.....£19.00 bottle

Boutinot 'La Citadelle' Sablet.....£6.00 glass
Côtes Du Rhône, France. Black cherries, mocha & nutmeg.....£25.00 bottle

Dandelion Vineyards Cabernet Sauvignon.....£7.50 glass
S. Australia. Herbs, cedarwood, blackcurrant & spice.....£32.00 bottle

Sparkling Wines

Bianchi Brut.....£5.75 125ml glass
Mendoza, Argentina. Using champagne varieties.....£28.00 bottle

Fernando de Castilla Sherry (by the 125ml glass only)

Fino (classic pale & dry).....£5.00 glass

Manzanilla (very dry).....£5.00 glass

Amontillado (aged in oak barrels, deep amber in colour, smooth, nutty).....£5.50 glass

BOMBERS – BEERS BEST SHARED

Deus Brut des Flandres (11.5%) Belgium.....	£34.50 75cl
The champagne of the beer world	
Blanche de Namur Wheat Beer (4.5%) Belgium.....	£8.75 75cl
La Rulles Estivale (5.2%) Belgium.....	£9.00 75cl
Stone Cali-Belgique IPA (6.9%) USA.....	£13.00 65cl
SKA Nefarious Ten Pin Imperial Porter (8%) USA.....	£16.00 65cl
Moor Illusion Black Ale (4.8%) UK.....	£8.00 66cl
Moor Old Freddy Walker Old Ale (7.5%) UK.....	£11.00 66cl
Moor Revival Pale Ale (4%)UK.....	£7.00 66cl
Williams Bros Fraoch 22 Heather Ale (11%) UK.....	£25.00 75cl
Sierra Nevada Harvest Ale (6.7%) USA.....	£9.00 71cl
Bear Republic Red Rocket (6.8%) USA.....	£11.00 65cl
Mikkeller It's Alive (8%) Denmark.....	£17.00 75cl
Sierra Nevada & Dogfish Head Life & Limb (10%) USA.....	£25.00 75cl
Delirium Tremens (8.5%) Belgium.....	£10.00 75cl

DRAUGHT BEERS

The draught beers will change on a daily basis, new beers coming onto the taps will be updated on the boards in-store, on our facebook page and via twitter.

Beer/cider is for sipping not for downing, so all our beers are advertised at ½ pint prices which we think is the best way to appreciate our great beers & ciders. Third pint measures are also available.

Any draught with an ABV over 7% will only be served in two third, half or third pint measures.

Keg

Anniversary Saison DuPort (6%).....£2.00 ½ pt
Collaboration Belgian-style saison from 5 British microbreweries

Dogma Scotch Ale (7.4%).....£2.60 ½ pt
Heather honey infused scotch ale from BrewDog Aberdeenshire

Camden Hells Lager (4.6%).....£1.65 ½ pt
Helles-style lager from a great new microbrewery in North London

Cannonball (7.4%).....£3.00 ½ pt
A hoppy IPA from Magic Rock Brew Co in Huddersfield

Pale Ale Chinook Simcoe (5.2%).....£3.50 ½ pt
An exceptional beer from The Kernel, the best microbrewery in the UK (we think!)

Framboise (3.6%).....£2.00 ½ pt
A raspberry beer collaboration from Kirkstall Brewery & Delirium in Belgium

Real Ales

Smokeless (5.7%).....£1.65 ½ pt
A velvety smoked porter from Toby at fledgling brewery RedWillow in Macclesfield

Mary Jane (3.5%).....£1.50 ½ pt
One of the best session ales around, from the award-winning Ilkley Brewery

Rouge-Hop (5%).....£1.60 ½ pt
A red hop ale from Summer Wine Brewery in Holmfirth, just down the road

Cider Boxes

Moorlands (6.4%).....£1.25 ½ pt
A medium sweet cider from East Yorkshire

Devon Scrumpy (6%).....£1.25 ½ pt
A slightly cloudy, full flavoured award-winning cider

Why not have a tasting session with your mates:

Three Beer Taster Tray (using third pint measures).....£4.50

Six Beer Taster Tray (using third pint measures).....£8.00

Three Beer & Food Taster Tray (third pint glasses & matching food).....£6.50

THE BOTTLES

Belgium

Vedett Blonde (5.2%).....	£3.00 33cl
Blanche de Namur Wheat Beer (4.5%).....	£3.50 25cl
Poperings Hommel Bier (7.5%).....	£3.50 25cl
XX Bitter (6.2%).....	£3.75 33cl
Orval (6.2%).....	£3.75 33cl
Saison Dupont (6.5%).....	£4.00 33cl
Delirium Red (8.5%).....	£4.75 33cl
Delirium Tremens (8.5%).....	£4.75 33cl
Kwak (8.4%).....	£5.00 33cl
Cantillon Gueuze (5%).....	£8.50 37.5cl
Cantillon Rosé de Gambrinus (5%).....	£11.00 37.5cl

Germany

Veltins Pilsener (4.8%).....	£3.50 50cl
Küppers Kölsch (4.8%).....	£4.00 50cl
Schlenkerla Racuhbier Märzen (5.1%).....	£4.25 50cl
Schneider Original (5.4%).....	£4.50 50cl
Maisels Weisse Bier Dunkel (5%).....	£4.50 50cl

Other European Beers

Mikkeller Green Gold (7%) Denmark.....	£5.50 33cl
Mikkeller Single Nelson Sauvín (6.9%) Denmark.....	£5.50 33cl
Mikkeller Single Centennial (6.9%) Denmark.....	£5.50 33cl
Nogne Pale Ale (6%) Norway.....	£6.00 50cl
Nogne Saison (6.5%) Norway.....	£6.00 50cl
Nogne Imperial Brown (7.5%) Norway.....	£6.50 50cl
Nogne Porter (7%) Norway.....	£6.50 50cl
Nogne IPA (7.5%) Norway.....	£6.50 50cl

USA

Brooklyn Lager (5.2%).....	£3.00 35.5cl
Brooklyn Monster Ale (10.8%).....	£6.00 35.5cl
Sierra Nevada Pale Ale (5.6%).....	£3.50 35.5cl
Sierra Nevada Porter (5.6%).....	£3.50 35.5cl
Sierra Nevada Torpedo Extra IPA (7.2%).....	£4.50 35.5cl
Odell 90 Schilling (5.5%).....	£3.50 35.5cl
Odell IPA (7%).....	£4.25 35.5cl
Odell Myrcenary Double IPA (9.3%).....	£9.00 35.5cl
Anchor Steam Liberty Ale (5.9%).....	£3.50 35.5cl
SKA Buster Nut Brown Ale (5.2%).....	£4.00 35.5cl
Victory Hop Devil IPA (6.7%).....	£4.00 35.5cl
Flying Dog Doggie Style (5.5%).....	£4.00 35.5cl
Flying Dog Old Scratch (5.5%).....	£4.00 35.5cl
Bear Republic 5 Racer (7%).....	£4.50 35.5cl
Stone Arrogant Bastard (7.2%).....	£4.50 35.5cl

UK

Durham White Stout (7.2%).....	£4.50 50cl
Durham Saint Cuthbert (6.5%).....	£4.50 50cl
Magic Rock Cannonball IPA (7.4%).....	£4.25 33cl
Magic Rock Rapture Red Hop Ale (7.2%).....	£3.75 33cl
Magic Rock Magic 8 Ball Black IPA (7%).....	£4.50 33cl
RedWillow Wreckless Pale Ale (4.8%).....	£3.50 33cl
RedWillow Smokeless Smoked Porter (5.7%).....	£3.75 33cl
RedWillow Ageless Double IPA (7.2%).....	£4.00 33cl
Ilkley Mary Jane (3.5%).....	£3.50 50cl
Hardknott Granite Barley Wine (9.5%).....	£10.00 50cl
Hardknott Colonial Mayhem Mild (8.1%).....	£6.00 33cl
Thornbridge Jaipur IPA (5.9%).....	£4.00 50cl
Thornbridge Wild Swan White Gold Pale (3.5%).....	£3.50 50cl
Thornbridge Bracia Dark Ale (10%).....	£20.00 50cl

UK

Hawkshead NZPA (6%).....	£4.50 33cl
Hawkshead Lakeland Lager (5%).....	£3.00 33cl
Quantum American Amber Ale (5.3%).....	£7.00 50cl
Quantum Bitter (3.8%).....	£5.00 50cl
Summer Wine Barista Espresso Stout (4.8%).....	£4.00 33cl
Summer Wine Hermes Pale Ale (5%).....	£4.00 33cl
Bristol Beer Factory Southville Hop (6.5%).....	£4.00 50cl
Bristol Beer Factory No7 Best Bitter (4.5%).....	£4.00 50cl
BrewDog Punk IPA (5.6%).....	£3.50 33cl
BrewDog 5am Saint Amber Ale (5%).....	£3.50 33cl
Buxton Imperial Black (7.5%).....	£6.00 50cl
Buxton Moor Top (3.6%).....	£3.50 50cl
Dark Star Brewing Sunburst Golden Ale (4.8%).....	£4.00 50cl
Dark Star Brewing Espresso Stout (4.2%).....	£4.00 50cl
Oakham Citra American Pale Ale (4.6%).....	£3.50 50cl
Saltaire Raspberry Blonde (4%).....	£3.75 50cl
Saltaire Triple Chocoholic (4.8%).....	£3.75 50cl
Kernel Simcoe Centennial Pale Ale (5.2%).....	£4.50 50cl
Kernel Export Stout (7.2%).....	£4.50 33cl
Kernel Galaxy IPA (7.4%).....	£4.50 33cl
Camden Town Helles Lager (4.6%).....	£4.50 33cl
Camden Town Wheat Beer (5%).....	£5.00 33cl

35.5cl Cans – see the Trot On deli boards for takeaway offers

Brooklyn Lager (5.2%) USA.....	£3.00
BrewDog Punk IPA (5.6%) UK.....	£3.50 33cl
SKA Modus Hoperandi IPA (6.8%) USA.....	£4.25
Maui Mana Pineapple Wheat (5.5%) USA.....	£4.00

This page is intentionally left blank



